

220/P 600SA-800SA



SEMI-AUTOMATIC BOLLARDS WITH GAS ACTUATOR

The semiautomatic bollards 220/P 600SA and 220/P 800SA with single gas actuator are designed and built with architectural appearance similar to that of the automatic bollards and therefore also allows the combined use of both versions. Current models are the result of our 40 years' experience in the security field and in excess of 20 years in the specific design and manufacture of bollards.

GENERAL FEATURES

The Semiautomatic bollards are used to define or prevent the stationing or transit of vehicles in pedestrian or private areas. Because of the procedure of parking, it is advised that the semi-automatic bollards be used only if the amount of daily movements is limited.



PAG.1/3

PILOMAT
HÖRMANN
100% MADE IN ITALY

PILOMAT s.r.l.
www.pilomat.com / pilomat@pilomat.com
Via Zanica 17/p, 24050, Grassobbio (BG) Italy
Tel. +39.035.29.72.20
Copyright 2021© Pilomat S.r.l. All rights reserved

REVIEW 24/09/2021

Information in this document is for reference only. In pursuit of its policy of continuous refinement and improvement, Pilomat reserves the right to amend this information at any time and without prior notice.
Picture shown is for illustration purpose only.

AVAILABLE ITEMS

BOLLARD 220/P FEV - NORMAL STEEL PAINTED

BOLLARD 220/P IXV - STAINLESS STEEL PAINTED

BOLLARD 220/P IXS - STAINLESS STEEL BRUSHED

FOUNDATION BOX IN ALUZINC FOR BOLLARD 220/P - COUNTERFRAME AND BRACKETS
ONE FOUNDATION BOX FOR EACH BOLLARD

MULTILED LIGHTING STRIP 8 LED POINT

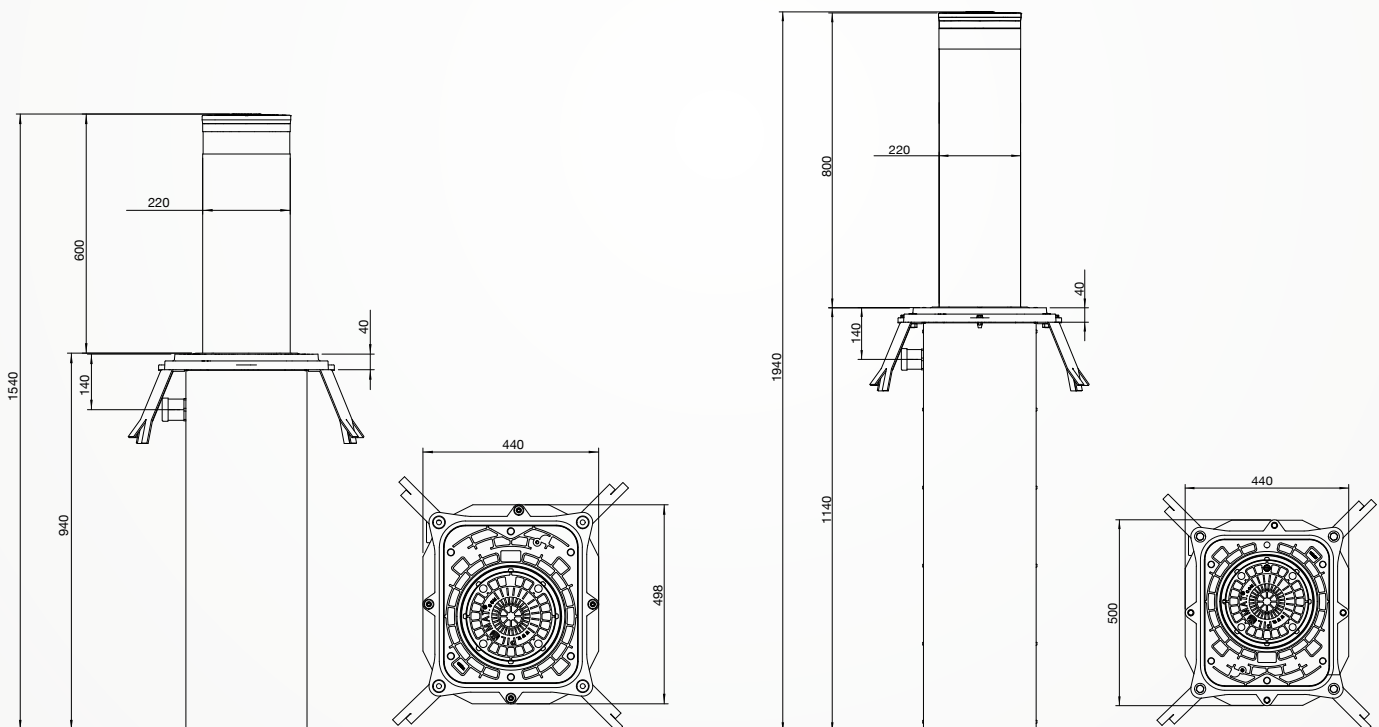
LIGHTING STRIP POWER CIRCUIT FOR SEMIAUTOMATIC BOLLARDS (MAX. 8 BOLLARDS)

HEAD WITHOUT LOGO FOR BOLLARD 220/P

PAINTING WITH RAL COLOUR ON REQUEST

LOCK FOR TRIANGULAR KEY 9mm - WITHOUT KEYS

KIT 5 TRIANGULAR KEYS 11mm FOR SEMIAUTOMATIC BOLLARDS



220/P 600SA-800SA



	220/P-600SA	220/P800SA
CYLINDER MATERIAL	S235JR NORMAL STEEL - X5CrNi 18-10 (AISI 304) STAINLESS STEEL	
CYLINDER DIAMETER	220mm	
CYLINDER HEIGHT	600mm	800mm
CYLINDER THICKNESS	4mm	
MOVEMENT PRINCIPLE	SEMIAUTOMATIC WITH GAS ACTUATOR	
CYLINDER NORMAL STEEL FINISH	ANTI-CORROSION TREATMENT - STANDARD PAINTING GREY ANTHRACITE	
CYLINDER STAINLESS STEEL FINISH	GREY ANTHRACITE STANDARD PAINTING OR BRUSHING	
REFLECTING ADHESIVE STRIP	STANDARD - HEIGHT 55mm	
RISING SPEED	20cm/s	
LOWERING SPEED	MANUAL (PRESSURE WITH THE FOOT ON THE HEAD OF THE BOLLARD)	
CONNECTION LINE FOR LIGHTING STRIP (OPTIONAL)	STANDARD 10m (MAX. LENGTH 80m - WITH HEATING RESISTANCE MAX 50m)	
PROTECTION CLASS	IP67	
IMPACT RESISTANCE (WITHOUT DEFORMATION)	30.000 J	
BREAKOUT RESISTANCE	150.000 J	
NOMINAL OPERATING TEMPERATURE	-40 °C +70 °C (FOR LOW TEERMPERATURES SEE THE HEATING RESISTANCE)	
LOCK	STANDARD: TRIANGULAR LOCK 11mm	
LOAD CLASS (EN124)	D400	

