

# 275/P10 800A



## HYDRAULIC BOLLARD WITH BUILT-IN PUMP

PILOMAT 275/P10 800A is a variant of PILOMAT P SERIES, which has the same general features, but the cylinder is thicker in order to increase the resistance of breakage. It is typically used in business and industry, combined with the classical gates in order to improve the level of passive safety, preventing theft of vehicles and its cargo inside the area.

The 275/P10 800A is available with a large number of optional accessories that allow you to customize your system according to your security needs.



100% MADE IN ITALY

PAG.1/3

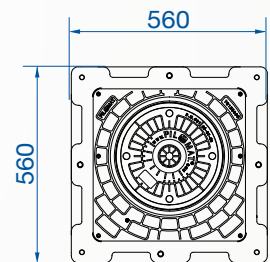
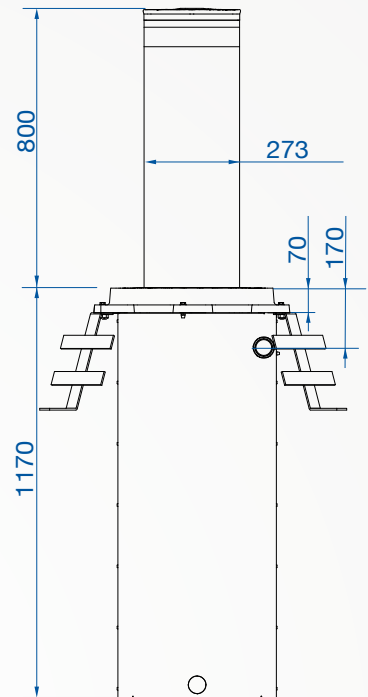
PILOMAT s.r.l.  
www.pilomat.com / pilomat@pilomat.com  
Via Zanica 17/p, 24050, Grassobbio (BG) Italy  
Tel. +39.035.29.72.20  
Copyright 2019© Pilomat S.r.l. All rights reserved

275/P10 800A\_DATASHEET.19 REVIEW 06/09/2019

*Information in this document is for reference only. In pursuit of its policy of continuous refinement and improvement, Pilomat reserves the right to amend this information at any time and without prior notice.  
Picture shown is for illustration purpose only.*

## AVAILABLE ITEMS

PILOMAT BOLLARD 275/P10 800AFEV - NORMAL STEEL PAINTED
PILOMAT BOLLARD 275/P10 800AIXV - STAINLESS STEEL PAINTED
PILOMAT BOLLARD 275/P10 800AIXS - STAINLESS STEEL BRUSHED
PIT IN ALUZINC FOR PILOMAT 275/P10 800A - COUNTERFRAME AND BRACKETS ONE PIT FOR EACH BOLLARD
CONTROL UNIT FOR PILOMAT 275/P10 800A
MULTILED FLASHING LIGHT- 25 LED POINTS
BUZZER ACOUSTIC SIGNAL FOR AUTOMATIC BOLLARD
REFLECTING ADHESIVE STRIP - WHITE (NO-LOGO)
HEAD WITHOUT LOGO FOR PILOMAT 275/P10 800A
PAINTING WITH RAL COLOUR ON REQUEST
BIODEGRADABLE OIL FOR HYDRAULIC PUMP
HEATING RESISTANCE FOR PILOMAT BOLLARDS - TRANSFORMER AND THERMOSTAT ONE RESISTANCE FOR EACH BOLLARD
RADIO RECEIVER
RADIO TRANSMITTER TWO-CHANNEL
TRAFFIC LIGHT WITH TWO LIGHTS (GREEN-RED)
INDUCTIVE DETECTOR FOR LOOPS
INDUCTIVE LOOPS
TIMER PROGRAMMER
INDUCTIVE CARD READER
LOCK SELECTOR



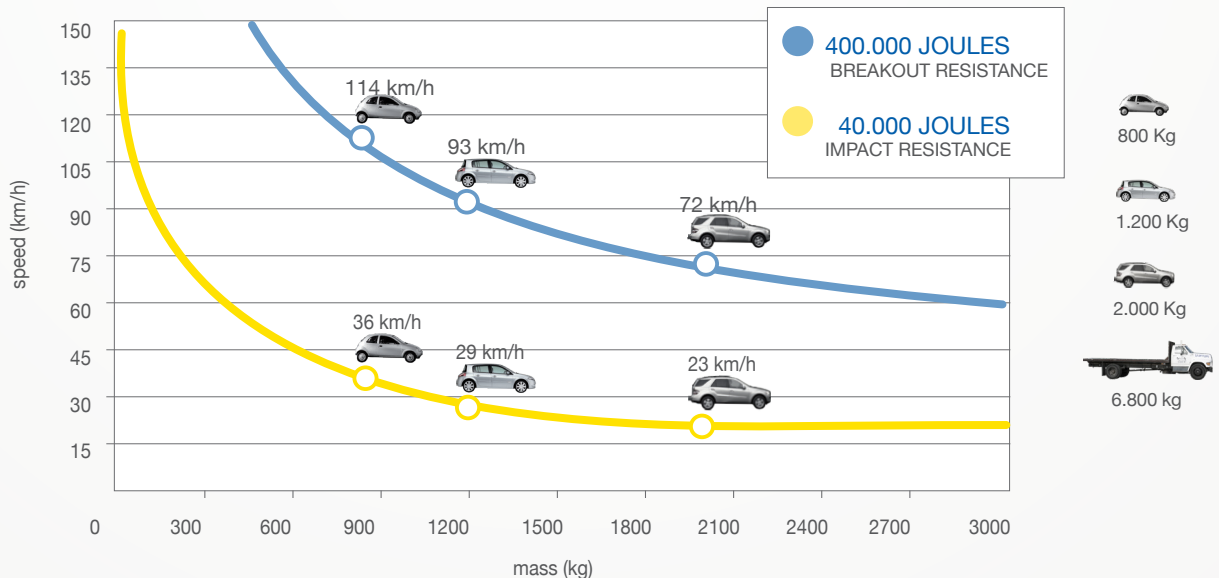
**PILOMAT**

100% MADE IN ITALY

# 275/P10 800A



CYLINDER MATERIAL	S235JR NORMAL STEEL - X5CrNi 18-10 (AISI 304) STAINLESS STEEL X5CrNiMo 17-12-2 (AISI 316) STAINLESS STEEL
CYLINDER DIAMETER	273mm
CYLINDER HEIGHT	800mm
CYLINDER THICKNESS	10mm
MOVEMENT PRINCIPLE	HYDRAULIC
CYLINDER NORMAL STEEL FINISH	ANTI-CORROSION TREATMENT - GREY ANTHRACITE STANDARD PAINTING
CYLINDER STAINLESS STEEL FINISH	GREY ANTHRACITE STANDARD PAINTING OR BRUSHING
REFLECTING ADHESIVE STRIP	STANDARD- HEIGHT 55mm
RISING SPEED	13cm/s (OPTIONAL: E.F.O. RISING TIME 1,5s)
LOWERING SPEED	32cm/s
MANUAL EMERGENCY LOWERING	STANDARD
CONNECTION LINE TO CONTROL UNIT	STANDARD 10m (MAX. LENGTH 80m - WITH HEATING RESISTANCE MAX. 50m)
VOLTAGE FOR CONTROL UNIT	230/400VAC (+/- 10%) 50/60HZ
HYDRAULIC PUMP	BUILT-IN THE BOLLARD
PROTECTION CLASS	IP67
TYPE OF USE	INTENSIVE - 2.000 CYCLES/DAY
LIFE UNITS	3.000.000 CYCLES
IMPACT RESISTANCE (WITHOUT DEFORMATION)	40.000 J CERTIFIED TUV RHEINLAND
BREAKOUT RESISTANCE	400.000 J
NOMINAL OPERATING TEMPERATURE	-40 °C +70 °C (FOR LOW TEMPERATURES SEE THE HEATING RESISTANCE)



100% MADE IN ITALY

PILOMAT s.r.l.  
 www.pilomat.com / pilomat@pilomat.com  
 Via Zanica 17/p, 24050, Grassobbio (BG) Italy  
 Tel. +39.035.29.72.20  
 Copyright 2019© Pilomat S.r.l. All rights reserved