

Macs EM450 Electro Mechanical Automatic Security Bollard

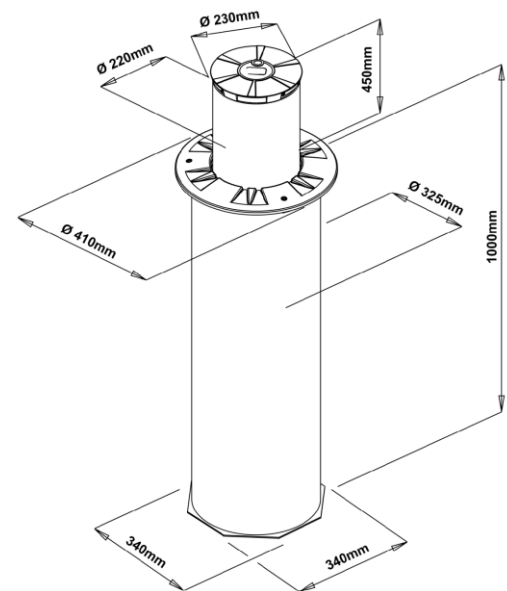
ELECTRO MECHANICAL

450mm high x 220mm diameter electro-mechanical security bollards.

STAINLESS STEEL

Stainless steel finish, with integrated LED as standard.

- 220mm x 450mm electro-mechanical rising bollard.
- Suitable for low usage applications, such as driveway and parking spaces.



Bollard Specifications

Moving Cylinder Diameter	220mm
Moving Cylinder Height	450mm
Moving Cylinder Steel Finish	Stainless Steel
Power Supply	230V
Usage	Semi Intensive (50%)
Absorbed Power	250W
Motor RPM	1400RPM
Rising/Lowering Speed	14 sec
Capacitor	8UF
Environmental Conditions	-20/+55° C
LED Power Supply	24V
Degree of Protection	IP66
Average Absorption	1A
Lifting Force	150KG
Foundation Weight	35KG
Cylinder Weight	45KG

Macs Automated Bollard Systems Ltd
Unit 8.1b Tameside Business Park
Windmill Lane, Denton
Manchester, M34 3QS

Tel: 0161 3206462

Email: enquiries@macs-bollards.com

Web: www.macs-bollards.com