

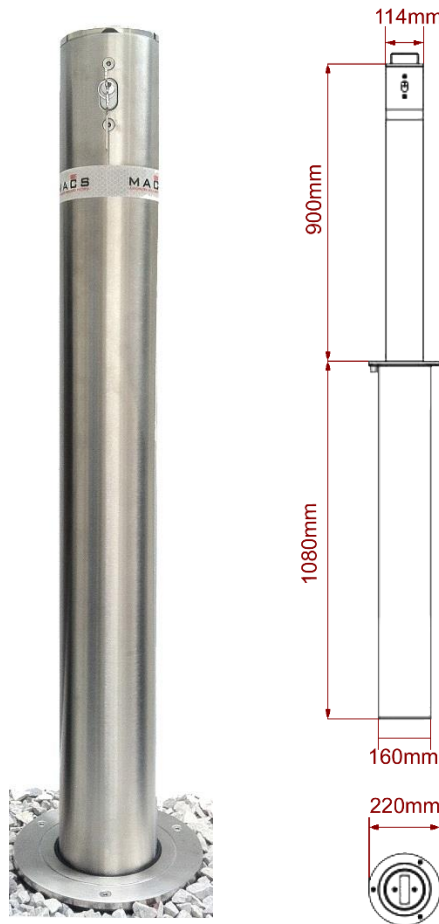
Macs 'T' Handle Manual Security Bollard

EASE OF USE

Macs' manual range of telescopic bollards, with 'T' style lifting handle and integrated lock

CUSTOM FINISH

Available in either stainless steel finish or steel painted to match any RAL.



- Manual range of telescopic bollards suitable for a variety of applications, from driveways and parking spaces, to offices and pedestrian areas.
- Available in stainless steel or painted RAL finish
- Integrated locking mechanism

Bollard Specifications

Bollard Height	900mm
Bollard Diameter	114mm
Bollard Finish	Steel Painted (Black), Stainless Steel
Bollard Cylinder Thickness	4.5mm (Painted), 3mm (Stainless Steel)
Handle Type	'T' Handle
Reflective Type	30mm
Integrated Lock	Yes

Macs Automated Bollard Systems Ltd
Unit 8.1b Tameside Business Park
Windmill Lane, Denton
Manchester, M34 3QS

Tel: 0161 3206462
Email: enquiries@macs-bollards.com
Web: www.macs-bollards.com