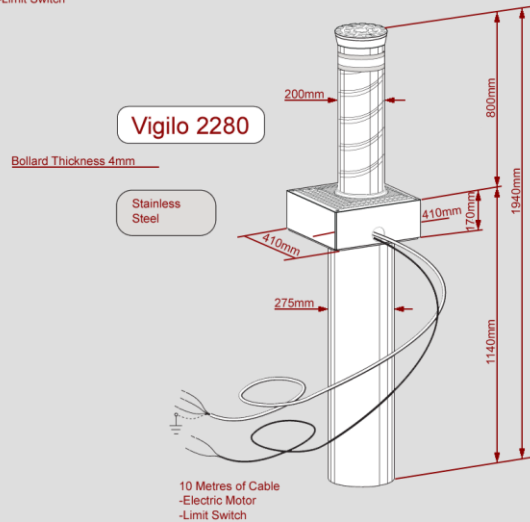
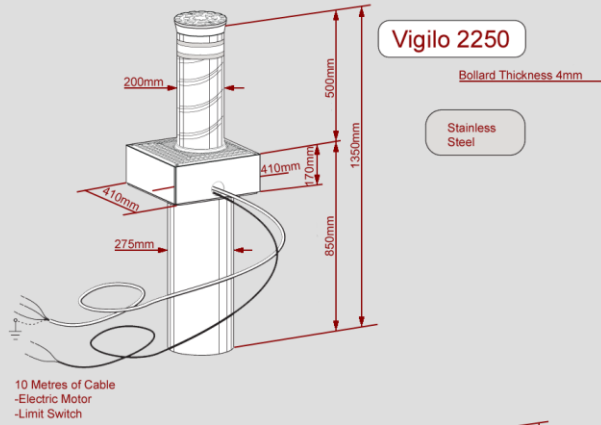


Macs 2250/2280 Stainless Steel

The Vigilo bollards are suitable for use in both low and high frequency applications. The standard rising bollards come with self contained hydraulic pump and piston assembly for easy installation, with no special adjusting or calibration required, plus a manual override feature for use in the event of power failure.



Vigilo 2250SS Diameter	200mm
Vigilo 2280SS Diameter	200mm
Vigilo 2250SS Height	500mm
Vigilo 2280SS Height	800mm
Vigilo 2250SS Static Weight	102Kg
Vigilo 2280SS Static Weight	131Kg
Vigilo 2250SS Rising/Lowering Time	4s
Vigilo 2280SS Rising/Lowering Time	6s
Cylinder Finish	Stainless Steel AISI304

Vigilo 2250SS

Duty Cycle	Rise 4s – Dwell 30s – Lower 4s – Dwell 30s
Time of One complete Cycle	68s
Complete Cycles Per Hour	53 Per hour
Complete Cycles Per Year(8 Hours Per Day)	154,000

Vigilo 2280SS

Duty Cycle	Rise 6s – Dwell 30s – Lower 6s – Dwell 30s
Time of One complete Cycle	72s
Complete Cycles Per Hour	50 Per Hour
Complete Cycles Per Year(8 Hours Per Day)	146,000