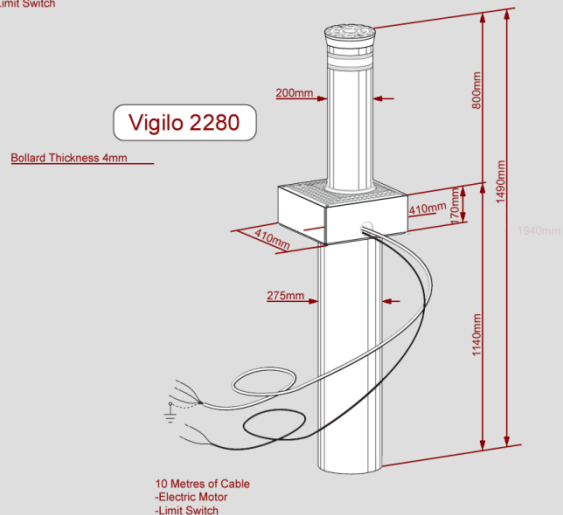
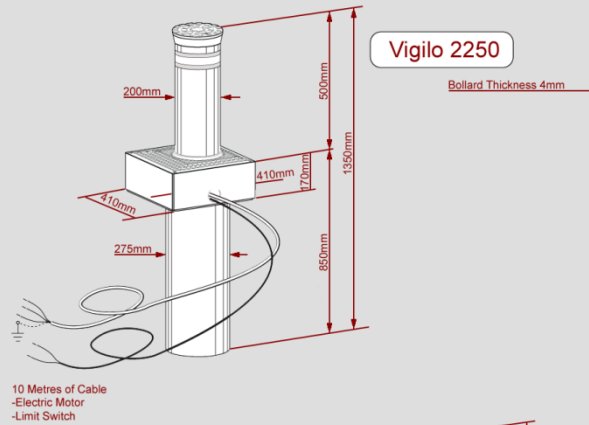


## Macs Vigilo 2250/2280

The Vigilo bollards are suitable for use in both low and high frequency applications. The standard rising bollards come with self contained hydraulic pump and piston assembly for easy installation, with no special adjusting or calibration required, plus a manual override feature for use in the event of power failure.



Vigilo 2250 Diameter	200mm
<b>Vigilo 2280 Diameter</b>	<b>200mm</b>
Vigilo 2250 Height	500mm
<b>Vigilo 2280 Height</b>	<b>800mm</b>
Vigilo 2250 Static Weight	102Kg
<b>Vigilo 2280 Static Weight</b>	<b>131Kg</b>
Vigilo 2250 Rising/Lowering Time	4s
<b>Vigilo 2280 Rising/Lowering Time</b>	<b>6s</b>
Cylinder Finish	Standard Grey Anthracite
<b>Anti-Corrosion Treatment</b>	<b>Cataphoresis</b>

Vigilo 2250	
Duty Cycle	Rise 4s – Dwell 30s – Lower 4s – Dwell 30s
<b>Time of One complete Cycle</b>	<b>68s</b>
Complete Cycles Per Hour	53 Per hour
<b>Complete Cycles Per Year(8 Hours Per Day)</b>	<b>154,000</b>

Vigilo 2280	
Duty Cycle	Rise 6s – Dwell 30s – Lower 6s – Dwell 30s
<b>Time of One complete Cycle</b>	<b>72s</b>
Complete Cycles Per Hour	50 Per Hour
<b>Complete Cycles Per Year(8 Hours Per Day)</b>	<b>146,000</b>