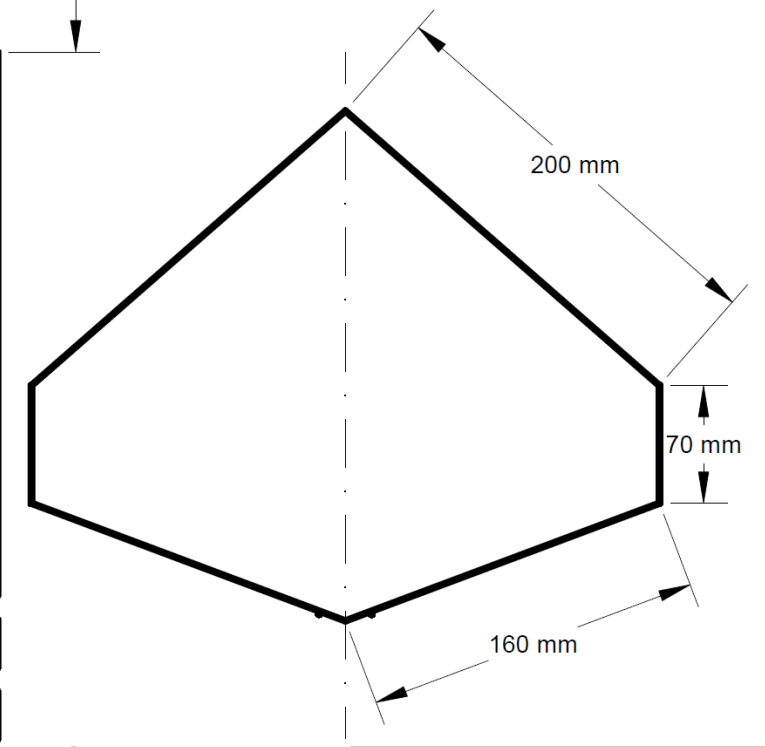


BOLLARD STATUS LIGHTS AND INTERCOM POST  
MUST BE CONCRETED IN 500mm DEEP IN THE GROUND

THE HOLE FOR TIAC 2 POST SHOULD BE  
500x500 AND 500mm DEEP



TITLE			
TIAC 2 POST			
SIZE <b>A4</b>	CAGE CODE	DWG NO	REV <b>01</b>
SCALE	DATE <b>8.04.2010</b>	DRAWN <b>TOM G.</b>	