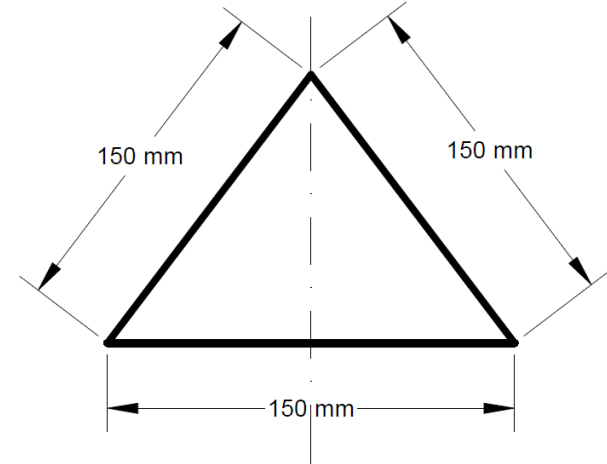
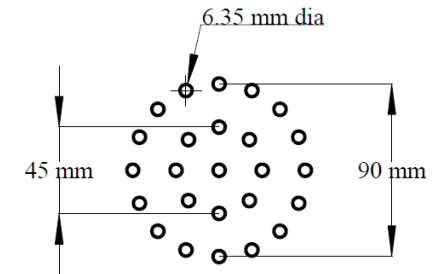


BOLLARD STATUS LIGHTS POST
MUST BE CONCRETED IN 500mm DEEP IN THE GROUND

THE HOLE FOR TIAC 1 POST SHOULD BE
500x500 AND 500mm DEEP



SINGLE LED CLUSTER CONTAINS 25 LED'S



MACS AUTOMATED BOLLARD SYSTEMS			
TITLE TIAC 1 POST			
SIZE A4	CAGE CODE	DWG NO	REV 01
SCALE	DATE 8.04.2010	DRAWN TOM G.	