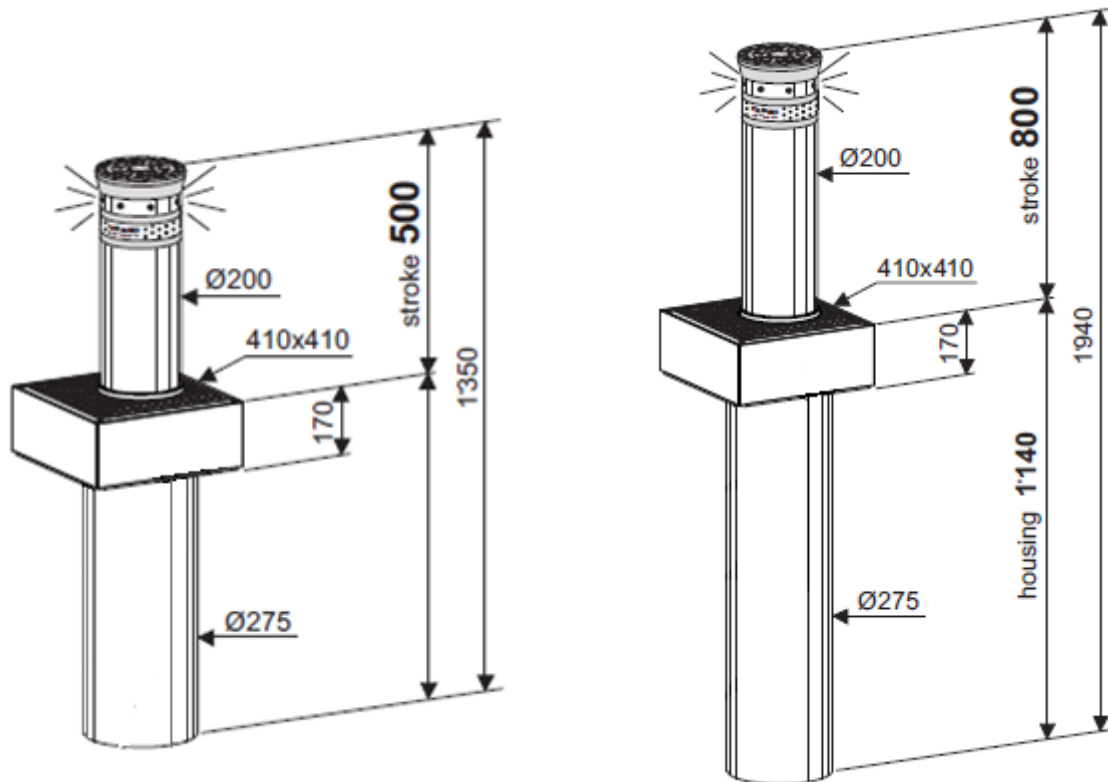


Macs Vigilo 2251 & 2281 Automatic Bollards

Automatic Bollard with Built In Hydraulic Pump And LED Lights
200mm Diameter x 500mm High / 200mm Diameter x 800mm High



TECHNICAL DATA

Oil-hydraulic motor-pump unit - Vico 2240 -

Hydraulic pump.....	P10
Pump flow rate.....	4.45 l/min.
Average working pressure.....	2 MPa (20 bar)
Max. Achievable pressure.....	4 MPa (40 bar)
Working temperature.....	-20°C +80°C
Hydraulic oil type.....	Oil Fadini
Static weight of pump assembly.....	10 Kg
Pump protection standards.....	IP 54

Electric motor

Power yield.....	0.25 KW (0.33 HP)
Supply voltage.....	230 V
Frequency.....	50 Hz
Absorbed current.....	1.8 A
Absorbed power.....	330 W
Capacitor.....	20 µF
Motor revolutions.....	2800 rpm
Service mode.....	S3

Performance Vigilo 2251

Duty cycle.....	4s Rise - 30s Dwell - 4s Lower - 30s Dwell
Time of one complete cycle.....	68s
Complete cycles Rise - Dwell - Lower - Dwell.....	No.53/hour
Cycles per year (8 hours' service per day).....	No.154000

Hydraulic actuator

Piston travel time Vigilo 2251.....	4 s
Piston travel time Vigilo 2281.....	6 s
Service stroke Vigilo 2251.....	500 mm
Service stroke Vigilo 2281.....	800 mm
Shaft diameter.....	16 mm
Piston diameter.....	30 mm
Pre-set Pushing Power.....	15 daN
Protection standard complete.....	IP 557

Bollard weights Vigilo Range

Static weight Vigilo 2251 (stroke 500 mm)...	102 Kg
Static weight Vigilo 2281 (stroke 800 mm)...	131 Kg

Construction features

Post colour Vigilo range.....	Anthracite greig RAL 7016
Post, housing and cylindrical container material.....	"Fe 360" steel
Anti-corrosion treatment.....	Cataphoresis

Performance Vigilo 2281

Duty cycle.....	6s Rise - 30s Dwell - 6s Lower - 30s Dwell
Time of one complete cycle.....	72s
Complete cycles Rise - Dwell - Lower - Dwell.....	No.50/hour
Cycles per year (8 hours' service per day).....	No.146000

Macs Automated Bollard Systems Ltd
Unit 8.1b Tameside Business Park
Windmill Lane
Denton
Manchester
M34 3QS

Tel: 0161 320 6462

Fax: 0161 320 6463

E-Mail: enquiries@macs-bollards.com

Web: www.macs-bollards.com