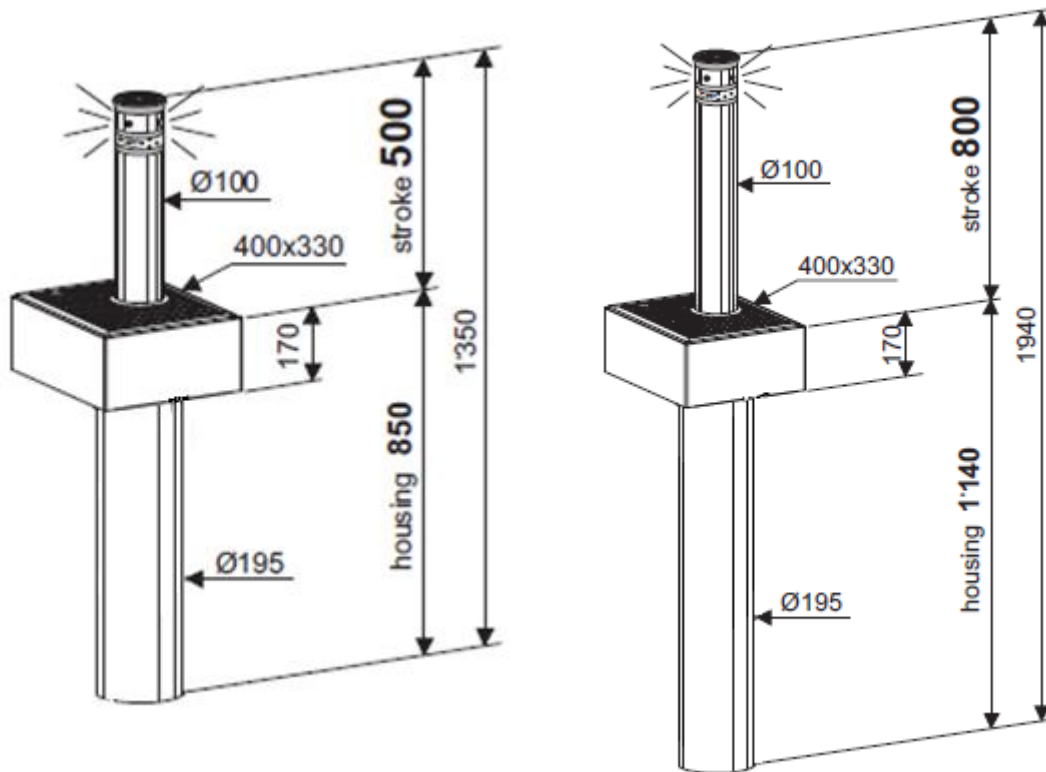


Macs Coral 1051 & 1081 Automatic Bollards

Automatic Bollard with Built In Hydraulic Pump and LED Lights
100mm Diameter x 500mm High / 100mm Diameter x 800mm High



TECHNICAL DATA

Oil-hydraulic motor-pump unit - Vico 2240 -

Hydraulic pump	P10
Pump flow rate	4.45 l/min.
Average working pressure	2 MPa (20 bar)
Max. Achievable pressure	4 MPa (40 bar)
Working temperature	-20°C +80°C
Hydraulic oil type	Oil Fadini
Static weight of pump assembly	10 Kg
Pump protection standards	IP 54

Electric motor

Power yield	0.25 KW (0.33 HP)
Supply voltage	230 V
Frequency	50 Hz
Absorbed current	1.8 A
Absorbed power	330 W
Capacitor	20 µF
Motor revolutions	2800 rpm
Service mode	S3

Performance Coral 1051

Duty cycle	4s Rise - 30s Dwell - 4s Lower - 30s Dwell
Time of one complete cycle	68s
Complete cycles Rise - Dwell - Lower - Dwell	No.53/hour
Cycles per year (8 hours' service per day)	No.154'000

Hydraulic actuator

Piston travel time Coral 1051	4 s
Piston travel time Coral 1081	6 s
Service stroke Coral 1051	500 mm
Service stroke Coral 1081	800 mm
Shaft diameter	16 mm
Piston diameter	30 mm
Pre-set Pushing Power	15 daN
Protection standard complete	IP 557

Bollard weights Coral Range

Static weight Coral 1051 (stroke 500 mm)	86 Kg
Static weight Coral 1081 (stroke 800 mm)	104 Kg

Construction features

Post colour Coral range	Anthracite greig RAL 7016
Post, housing and cylindrical container material	"Fe 360" steel
Anti-corrosion treatment	Cataphoresis

Performance Coral 1081

Duty cycle	6s Rise - 30s Dwell - 6s Lower - 30s Dwell
Time of one complete cycle	72s
Complete cycles Rise - Dwell - Lower - Dwell	No.50/hour
Cycles per year (8 hours' service per day)	No.146'000

Macs Automated Bollard Systems Ltd
Unit 8.1b Tameside Business Park
Windmill Lane
Denton
Manchester
M34 3QS

Tel: 0161 320 6462

Fax: 0161 320 6463

E-Mail: enquiries@macs-bollards.com

Web: www.macs-bollards.com