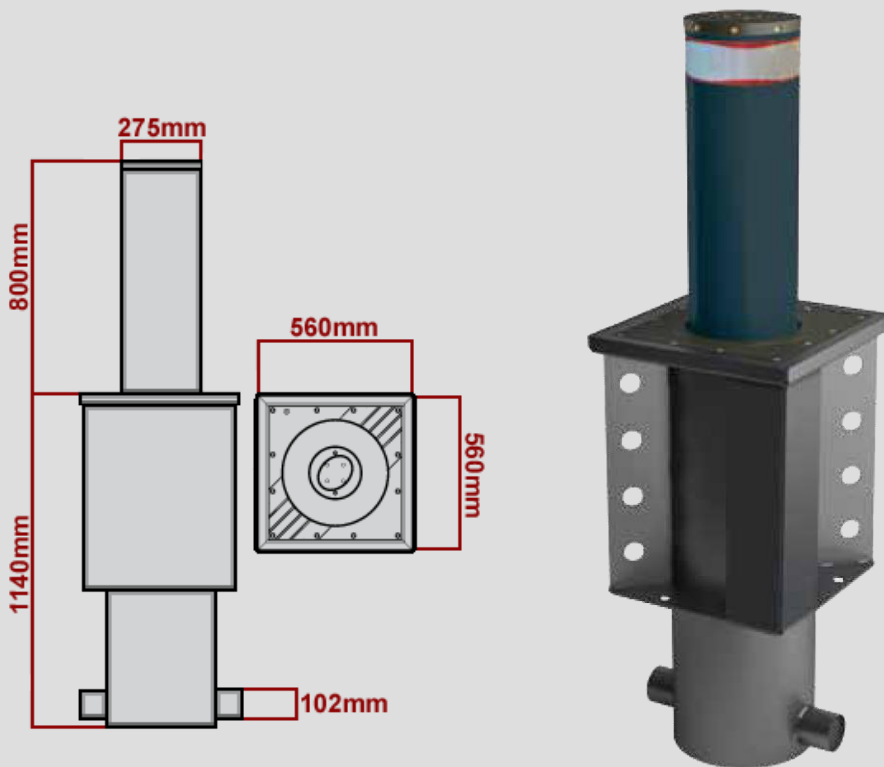


Macs Driveguard XP 275/800

Macs Driveguard XP 275/800 Crash Rated Bollard – PAS 68:2010 7500/50/n2 Crash Simulated

Accredited to international standards ASTM2656:2007 M3 – PAS 68:2010 7500/50/n2
 Hydraulic Crash Rated Bollard with independent power pack. Suitable for protective sensitive areas, with SD version locking bollard into raised position in the event of power failure or disruption.

For more information, please call **0161 3206462** or email enquiries@macs-bollards.com



Cylinder Height	800mm
Cylinder Diameter	275mm
Cylinder Finish	Powder Coat RAL7015 or AISI 304/316 Stainless Steel
Reflective Strip	Yes
LED Light Crown	Yes
Voltage	230V
Duty Cycle	2000 Per Day
Cylinder Thickness	10mm
Protection Rating	PAS68:2010 7500/50/n2 crash simulated
Breakout Resistance	730,000J
Operating Temperature	From -40°C to +60°C
Rising Time	7s
Lowering Time	4s

Macs Automated Bollard Systems Ltd
 Unit 8.1b Tameside Business Park
 Windmill Lane
 Denton
 Manchester
 M34 3QS

Tel: 0161 320 6462
Fax: 0161 320 6463
E-Mail: enquiries@macs-bollards.com
Web: www.macs-bollards.com