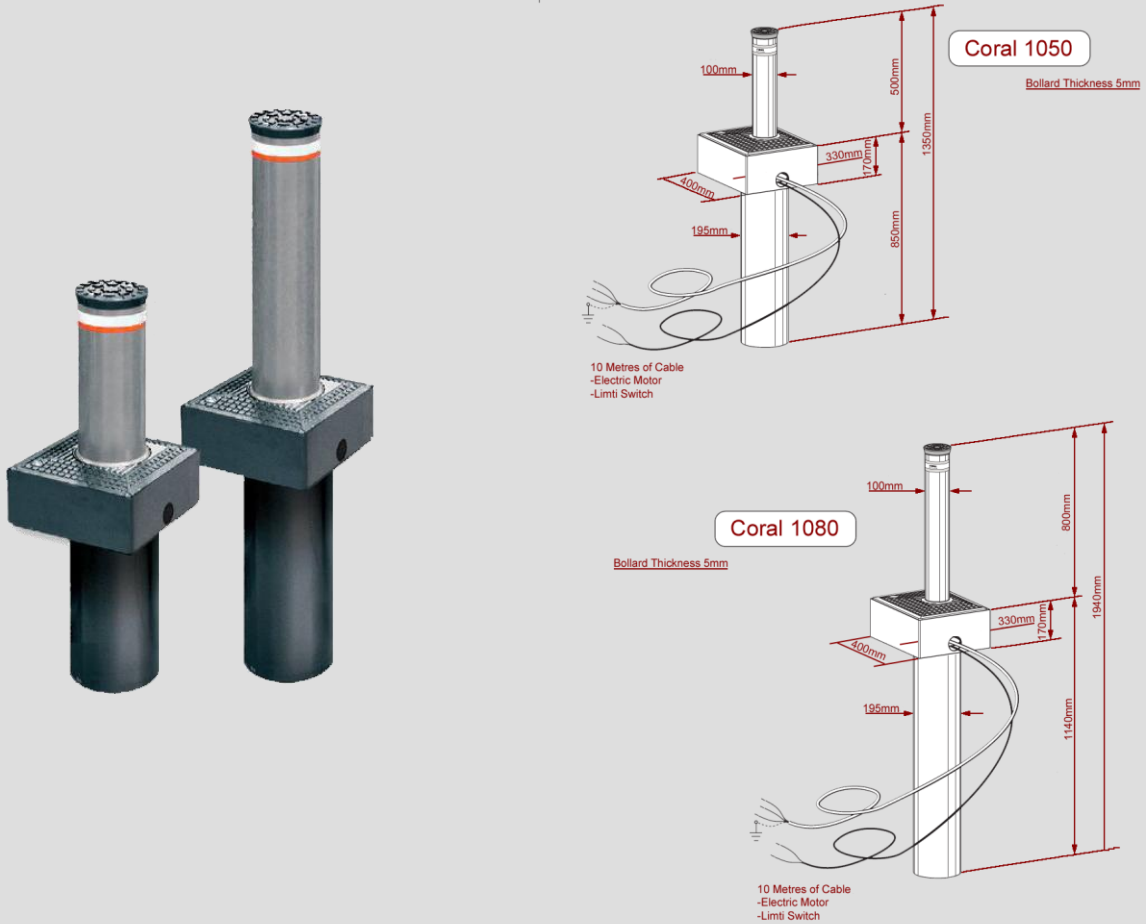


## Macs Coral 1050/1080

The Coral bollards are suitable for use in both low and high frequency applications. The standard rising bollards come with self contained hydraulic pump and piston assembly for easy installation, with no special adjusting or calibration required, plus a manual override feature for use in the event of power failure.



Coral 1051 Diameter	100mm
<b>Coral 1081 Diameter</b>	<b>100m</b>
Coral 1051 Height	500mm
<b>Coral 1081 Height</b>	<b>800mm</b>
Coral 1051 Static Weight	86Kg
<b>Coral 1081 Static Weight</b>	<b>104Kg</b>
Coral 1051 Rising/Lowering Time	4s
<b>Coral 1081 Rising/Lowering Time</b>	<b>6s</b>
Cylinder Finish	Standard Grey Anthracite
<b>Anti-Corrosion Treatment</b>	<b>Cataphoresis</b>

Coral 1050	
Duty Cycle	Rise 4s – Dwell 30s – Lower 4s – Dwell 30s
<b>Time of One complete Cycle</b>	<b>68s</b>
Complete Cycles Per Hour	53 Per hour
<b>Complete Cycles Per Year(8 Hours Per Day)</b>	<b>154,000</b>

Coral 1080	
Duty Cycle	Rise 6s – Dwell 30s – Lower 6s – Dwell 30s
<b>Time of One complete Cycle</b>	<b>72s</b>
Complete Cycles Per Hour	50 Per Hour
<b>Complete Cycles Per Year(8 Hours Per Day)</b>	<b>146,000</b>